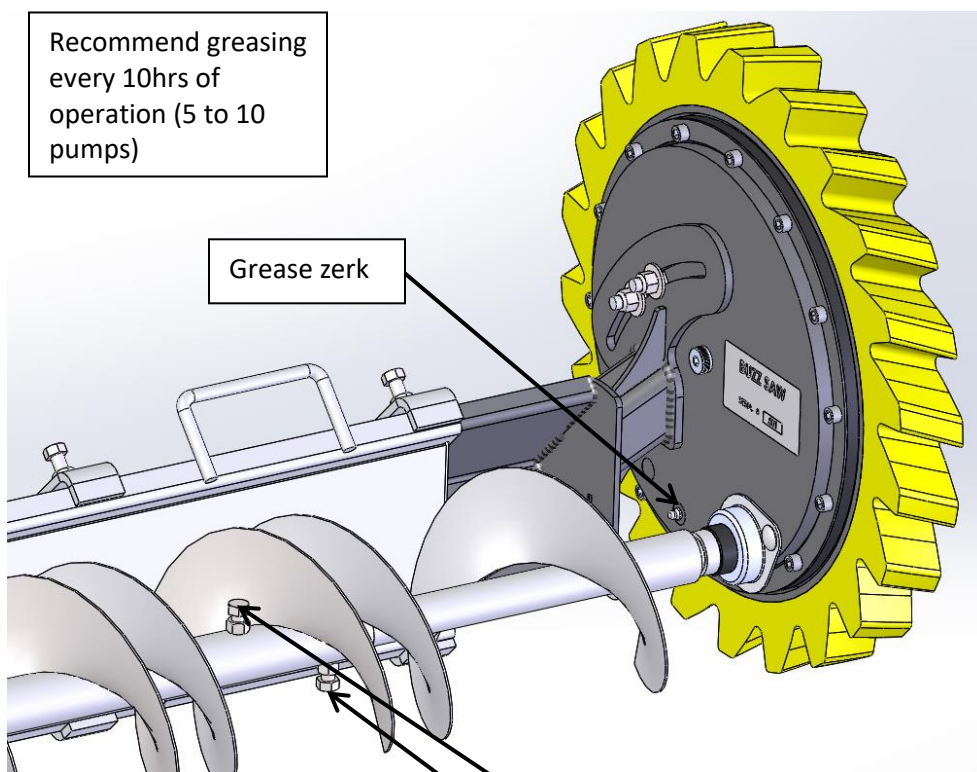
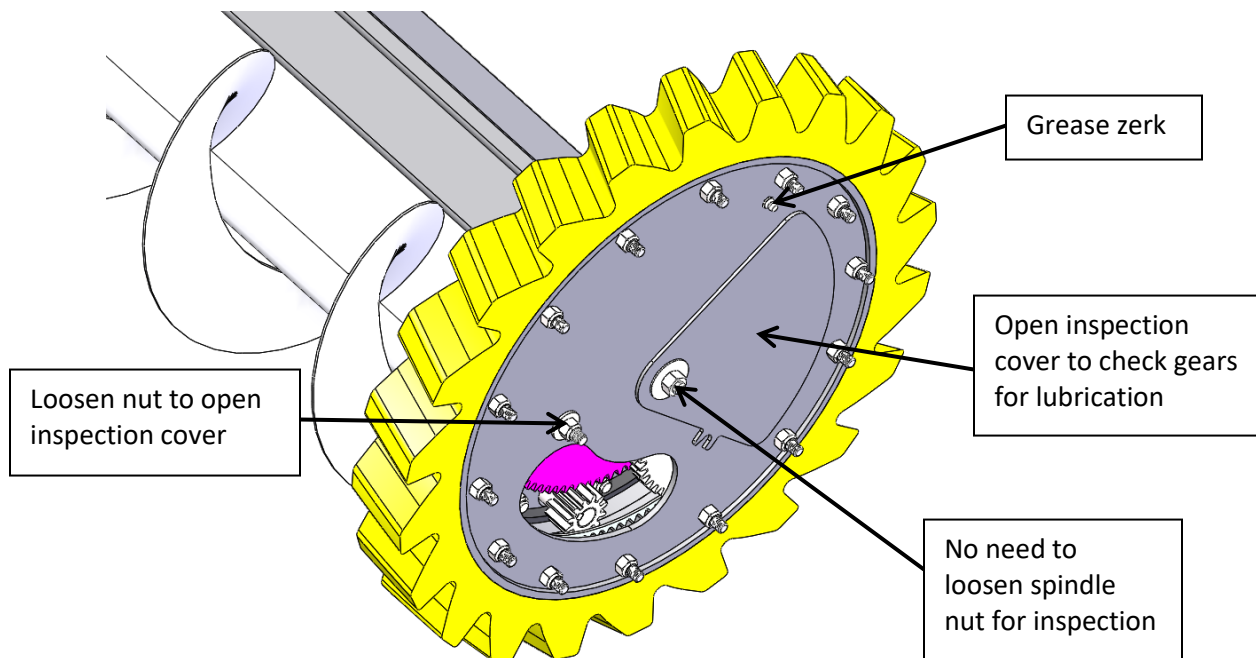


# INSTRUCTIONS, INSPECTION - BUZZ WHEEL

- Before installation on Grain Handler's new double reduction sweep drive wheel, there needs to be a few inspection checks done before operation:



If no bolts are present, you must drill holes and weld nuts on. 3/8" bolt minimum required.

Tighten bolts on to drive wheel flighting to finish installation of the Grain Handler Buzz-Saw Drive Wheel