



-ST600 (Truck Mount)-

Specs

2 Compartments

20 Ton - 600 cu/ft.

Dry weight of trailer 5,800 lbs.

Standard Features Include:

Stainless Tender - 12 GA 304 Stainless Steel Hopper & Load out conveyor

- 2 ply Epoxy & Powder Coated high Strength Frame

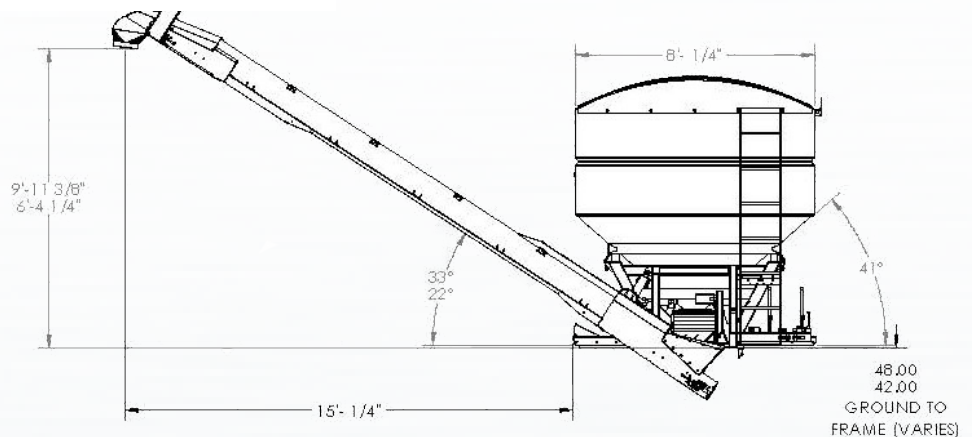
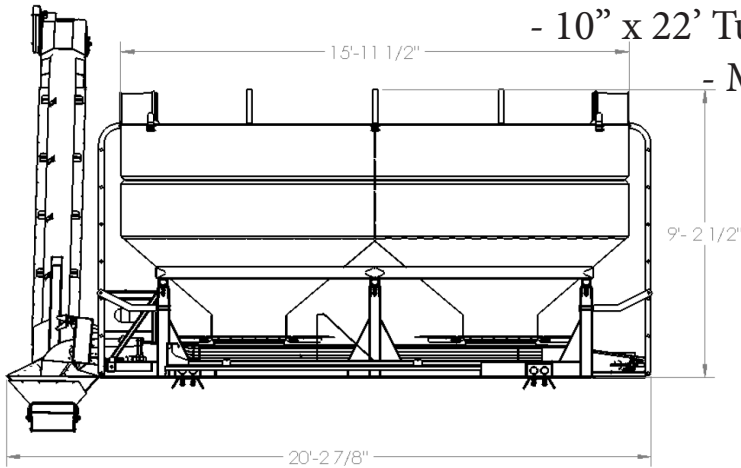
- 10" x 22' Tube 15" Belt Side Discharge Conveyor

- Manually operated stainless slide gates

- Manual crank tarp

- Access Ladders

- Poke Holes



Optional Features Include:

- Quick Connect on hydraulics to customer supplied truck wet kit
- Hydraulics operated stainless steel slide gates
- Self Contained Hydraulic Power Unit
- Wireless remote package
- Electrical Tarp Control
- Vibrators
- Split Hoppers

