

Kwik-Pound

Heaviest Hammer Weight on the Market!

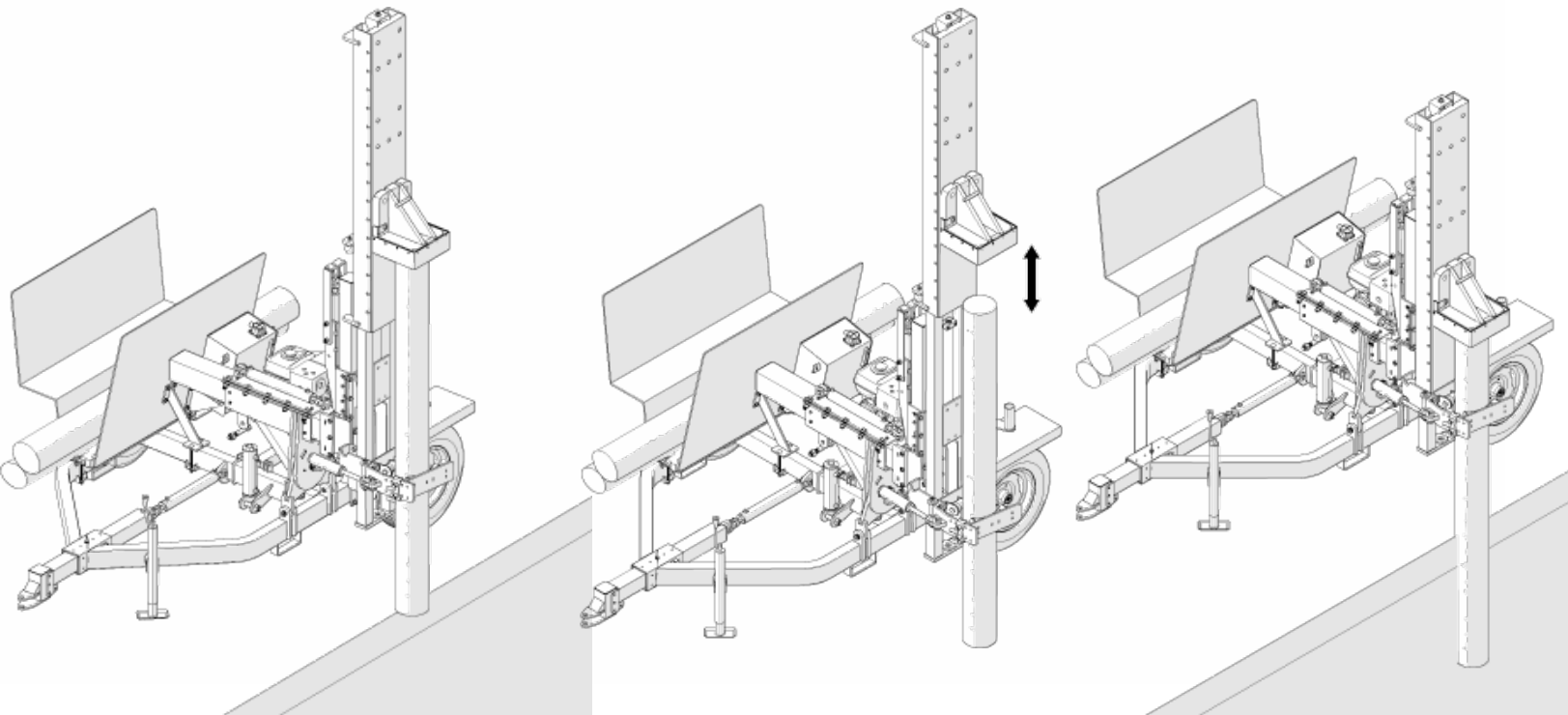
Over 860 lb. Hammer!

13'-2" Hammer Height Max!



-The Kwik-Pound Post Pounder was manufactured to deliver the heavy-hitting blows needed to drive many types of posts, even in uneven terrain!

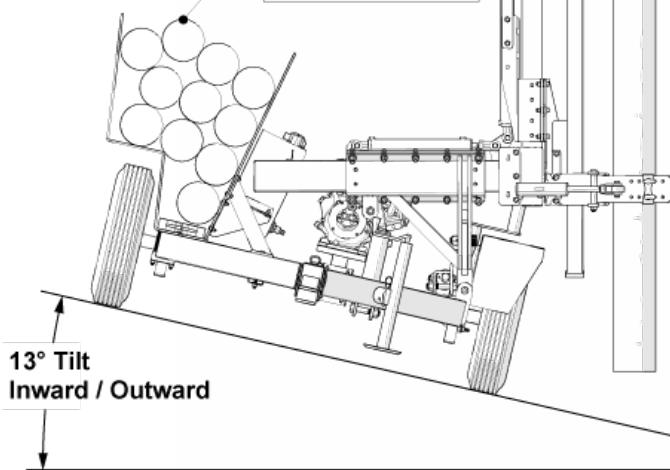
See reverse for details. →→→



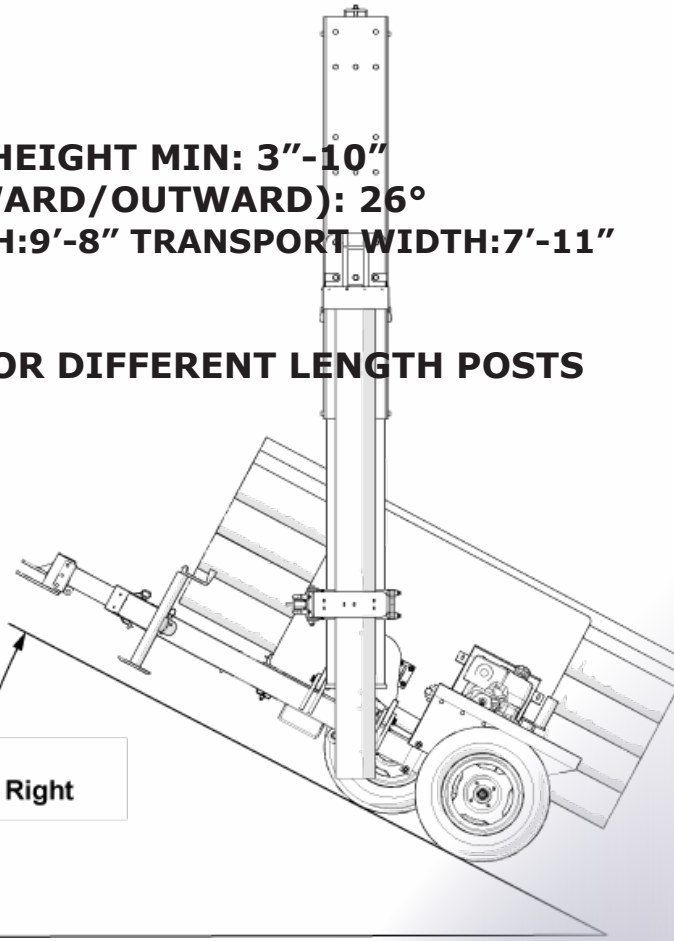
NS860T POST POUNDER FEATURES:

- VEHICLE TOWABLE
- DROP PIN HITCH
- SELF CONTAINED POWER UNIT
- OPERATIONAL FROM HYDRAULIC JOYSTICK VALVE
- HYDRAULIC POST HUGGER WITH POST SIZE ADJUSTMENTS
- HITCH AND MAST HYDRAULICALLY ADJUSTABLE TO 16"
- 864LB HAMMER
- DRIVES 12" DIAMETER POST AT A HEIGHT OF 12'
- 70" MAST STROKE
- GREASELESS POLY SLIDES
- 10 GALLON HYDRAULIC TANK
- TOTAL WEIGHT 3541 LBS
- HAMMER HEIGHT MAX: 13'-2" HAMMER HEIGHT MIN: 3"-10"
- TILT (LEFT OR RIGHT): 28° TILT (INWARD/OUTWARD): 26°
- TRANSPORT HEIGHT: 8'-10" TRANSPORT LENGTH: 9'-8" TRANSPORT WIDTH: 7'-11"
- TRANSPORT WIDTH: 7'-11"
- TRANSPORT LENGTH: 9'-8"
- CAN MANUALLY ADJUST HAMMER HEIGHT FOR DIFFERENT LENGTH POSTS

Storage For
Approx. (Qty. 11)
8" Dia. Posts



28° Tilt
Left Or Right



Proudly Manufactured By:



NORWOOD
Sales Inc.

Horace, ND Cooperstown, ND Union, NE
Toll Free: 800-446-0316